



Panic exit  
devices







## *Panic exit devices*

CISA: all about security.

CISA has been another word for security since 1926, offering the most advanced industry solutions in the form of mechanical and electronic locks, panic exit devices, door closers, padlocks, safes, keys and cylinders. CISA is part of the Ingersoll Rand group, a global diversified industrial firm providing products, services and solutions to transport and protect food and perishables, secure homes and commercial properties, and enhance industrial productivity and efficiency.

Traditionally sensitive to new market requirements, CISA has been a leading manufacturer of panic exit devices for many years, combining the concept of safety with that of public building security, and continuing to invest on research and development to come up with increasingly innovative solutions. CISA can offer a wide range of products to meet the requirements of a variety of end users and the technical and qualitative expectations of distributors and installers.

## *CISA: a solution for every requirement*



Cinemas, theaters, office buildings, sport halls and facilities: so many different public buildings requiring security systems able to protect all their users. CISA can offer a variety of suitable solutions - customizable for every need and type of environment.



## *CISA presents FAST*

*The new range of sturdy, technically advanced, easy-to-install panic exit devices.*

CISA can offer a wide range of panic exit devices, each with different design and technical characteristics, but all sharing a common feature: their suitability for heavy human traffic environments, guaranteeing maximum security and safety while complying with all the applicable EU standards.

The CISA panic exit devices have always been technologically advanced products with unique characteristics in terms of modular, non-handed design, range completeness, accessories, suitability for any type of door frame and controllability by electric handles, electric strikers or microswitches. Constantly on the lookout for new, innovative solutions, CISA has developed this range ever further - perfecting an already proven, reliable product with the addition of new performance characteristics and a bold, eye-catching design. The high-impact new look highlights the product's strong construction and reliability while maintaining the iconic design features of this range - enabling to use products from different lines in the same environment.



# *Installation has never been easier - or quicker*

## **WITH FAST, INSTALLATION TIMES ARE REDUCED BY HALF**

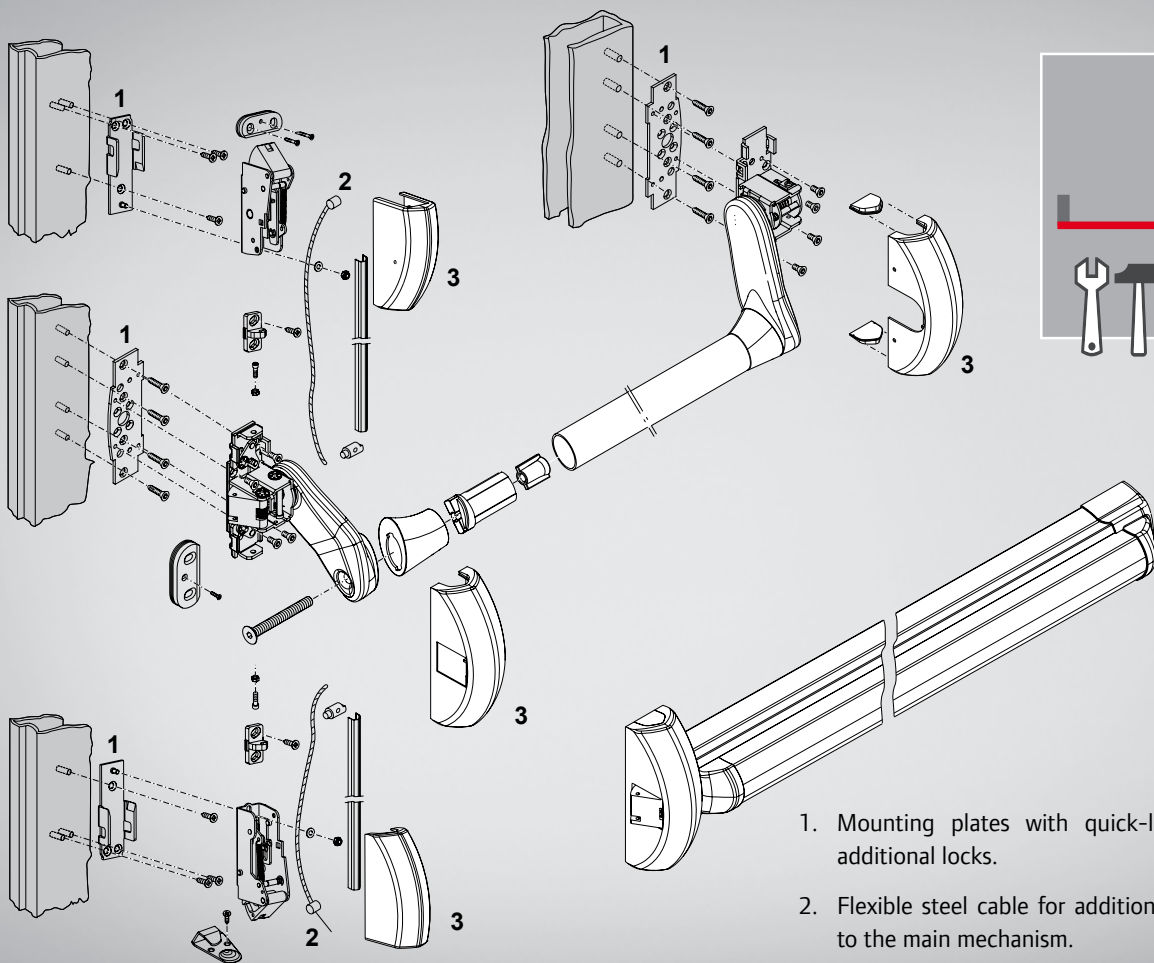
Thanks to the recent technical improvements, installing FAST panic exit devices can be quicker than installing earlier models by as much as 50%!

Installation times are reduced thanks to the possibility to:

- install additional locks on support plates with quick-lock systems and carry out adjustments on site, too;
- carry out easy adjustments via flexible cables connecting the additional locks to the main mechanism;
- use the special adjustment screws on the main mechanism - ergonomically positioned to help the installer;
- carry out installer-friendly cover, cable and bar cutting by following simple instructions which do not require any measurement;
- install the bar in a few simple operations after fixing the mechanisms;
- carry out cover quick fixing without any bolts screw needed;
- follow simplified instructions.







1. Mounting plates with quick-lock system for additional locks.
2. Flexible steel cable for additional lock coupling to the main mechanism.
3. Clip-on cover for quick installation without fixing screws.

## *New features, new advantages*

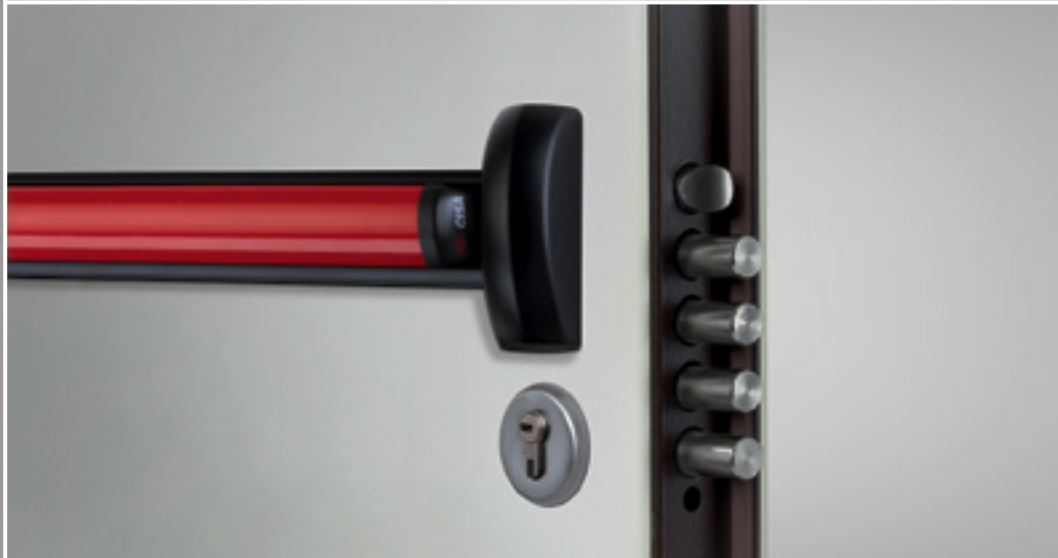


### **TOTAL INTERCHANGEABILITY WITH EARLIER VERSIONS**

The first requirement that CISA has wanted to fulfill in designing its new panic exit devices is smooth, seamless change-over to the new versions for customers who already owned previous models. Earlier model users will find that changing over to a new CISA panic exit device is quick, easy and will not require any action on the door.

### **INCREASED PROPERTY SECURITY**

FAST panic exit device installation in combination with SikurExit, the multipoint, panic function lock for aluminum doors, and with Exitlock, the panic function lock for armored doors in heavy traffic buildings ensures the greatest anti-burglary protection allowing at the same time quick exit from the building in case of danger.





### **FAMILY FEELING**

The new FAST range design is the result of the applied principle of homogeneity - ensuring aesthetic continuity among the various types of panic exit device and allowing several different designs to coexist in the same environment.

### **EASY MAINTENANCE**

Thanks to the new cover design without fixing screws, all the FAST range products can be quickly disassembled for panic exit device/door fixing inspection purposes and to carry out the required lubrication.

Re-installation at the end of the required service is just as easy and quick.

Reduced unscheduled maintenance requirements.

### **LOW NOISE OPERATION**

The cable used in the FAST products for additional lock connection will reduce the operating noise associated with traditional extended bolts.

# Applicable European standards

Since 2002, emergency exit systems have been regulated by two specific European standards: EN 1125 for panic exit devices and EN 179 for emergency exit devices. On 16 December 2008 the former standard EN 1125:1997:02 was updated to the NEW EUROPEAN STANDARD on panic exit devices EN 1125:2008. As a result, since 1st January 2010, only the products which have been granted a mark according to the new standard may be marketed.

CISA products have already been successfully submitted to all the required tests and on 2nd January 2009, the required new certificates were obtained for all the versions.

Main EN 1125:2008 standard prescriptions

- 1) A panic exit device must allow opening at any time by anyone (including children, elderly or disabled users, etc.), by applying minimal pressure with the hands, body or anything else on any point of the horizontal bar.
- 2) A panic exit device must be applicable to public passage doors (e.g. in shops, offices, hospitals, schools etc.) and must therefore be suitable for extremely intense use.
- 3) A panic exit device, if applied on a fire door, must be able to guarantee that, after evacuation, the door will close again also in the event of extremely high temperatures.
- 4) A panic exit device must be guaranteed against corrosion.
- 5) In a panic exit device the bar projection must not exceed 150 mm.
- 6) Every panic exit device must carry: the manufacturer's name and trademark, identifying codes, applicable EU standard number (UNI EN 1125), month/year of end user installation by the manufacturer.
- 7) There may be two types of panic exit device: with a class A push-bar and with a class B touch-bar.



CLASS OF USE. There is a single class of use - which takes into account the possible frequent use of panic exit devices by people who might not be paying attention (risk of accidents or misuse) (Class 3).

CYCLIC DURABILITY. Two classes: Class 6 (100,000 cycles); Class 7 (200,000 cycles).

DOOR WEIGHT. Three classes: Class 5 = up to 100Kg; Class 6 = up to 200Kg; Class 7\* = over 200Kg.

FIRE RESISTANCE. Three classes: Class 0 = not suitable for fire/smoke barrier doors; Class A = suitable for fire/smoke barrier doors according to the standard EN 1643-3; Class B\* = suitable for fire/smoke barrier doors according to the standard EN 1634-1.

PERSONAL SAFETY. A single class corresponding to the maximum safety degree which can be ensured by panic control devices (Class 1).

CORROSION RESISTANCE. Class 3 = high resistance; Class 4 = extremely high resistance.

PROPERTY SAFETY. A single class corresponding to the maximum safety degree which can be ensured by panic control devices - considering that the safety of property is valued less than personal safety (Class 2).

BAR PROJECTION. Class 1= bar projection up to 150mm (standard); Class 2 = bar projection up to 100mm (low-rise).

BAR OPERATION. A = panic exit device operated by a push-type bar; B = panic exit device operated by a touch-type bar.

SUITABILITY\*\*. Class A = suitable for single or double leaf doors; Class B = suitable for single leaf doors; Class C = suitable for double leaf doors but for the semi-fixed leaf only.

3	EN	1	7	9	:	2	0	0	8	
3	7	7	A	1	4	2	2	B	A	
3	7	7	A	1	4	2	2	A	A	
3	EN	1	1	2	5	:	2	0	0	8

\* Measurement class introduced by the new standard UNI EN 1125:2008.

\*\* Measurement class introduced by the new standard UNI EN 1125:2008.

## *FAST Touch and FAST Push Rim version*



CISA offers two types of panic exit devices: two separate families characterized by different structures and installation requirements.

Rim version panic exit devices.

The rim version panic exit device has been designed for installation 'as supplied' - ensuring low-cost, quick fitting. Rim version panic exit devices are characterized by a streamlined design and outstanding security. CISA supplies solutions suitable for single or double leaf doors. The extremely wide range of available accessories enables to meet any installation requirements.

# *FAST Touch and FAST Push Mortice version*



**FAST Touch**



**FAST Push**



Mortice version panic exit devices.

The latest solution available for emergency exit system management. This system combines a panic exit device with a special panic function mortice type lock, with the panic exit device being the only visible element. The result is a complete, certified system combining maximum anti-burglary security with a stylish, beautifully clean design.

# *FAST Touch - rim version*

*Compact, reliable design*



## **IDENTIFYING FEATURES**

- Highly compact design.
- New, specially shaped cover ensuring a safe grip also in the door closing phase.
- Extremely easy and quick installation.
- Fully modular system.
- Pre-assembly plates for additional lock fixing.
- Flexible connecting cable for additional lock quick-coupling to the main mechanism.
- Adjustable quick coupling additional locks.
- Wide range of fitting accessories.

- Accessory interchangeability with the FAST Push series.
- Available in a fire door-suitable version.

## **CERTIFICATIONS AND MARKS**

The adopted technical solutions and the materials used guarantee compliance with the strictest regulatory requirements. This has enabled CISA to obtain marks and certificates including:

- CE mark according to the 89/106/EEC DIRECTIVE granted by ICIM.
- Voluntary product certification granted by the independent certifying body ICIM according to the same standard UNI EN 1125.



# *FAST Touch - mortice version*

*World class design*



## **IDENTIFYING FEATURES**

- Extremely easy and quick installation.
- Highly compact design.
- New, specially shaped cover ensuring a safe grip also in the door closing phase.
- Suitable for installation with all CISA panic function locks and panic function fire door locks.
- Possible combination with SikurExit/Exitlock to ensure greater security and quick, safe exit in case of danger.
- Compliant with the European Standard EN 1125.

## **CERTIFICATIONS AND MARKS**

- The adopted technical solutions and the materials used guarantee compliance with the strictest regulatory requirements. This has enabled CISA to obtain marks and certificates including:
- CE mark according to the 89/106/EEC DIRECTIVE granted by ICIM.
  - Voluntary product certification granted by the independent certifying body ICIM according to the same standard UNI EN 1125.

# *FAST Push - rim version*

## *Customized security for any environment*



### **IDENTIFYING FEATURES**

- Extremely easy and quick installation.
- Fully modular system.
- Pre-assembly plates for additional lock fixing.
- Flexible connecting cable for additional lock quick-coupling to the main mechanism.
- Adjustable quick-coupling additional locks.
- Wide range of fitting accessories
- Accessory interchangeability with the Touch Bar series.
- Available in a fire door-suitable version.

### **CERTIFICATIONS AND MARKS**

- The adopted technical solutions and the materials used guarantee compliance with the strictest regulatory requirements. This has enabled CISA to obtain marks and certificates including:
- CE mark according to the 89/106/EEC DIRECTIVE granted by ICIM.
  - Voluntary product certification granted by the independent certifying body ICIM according to the same standard UNI EN 1125 for FAST Push and UNI EN 179 for FAST Push-pad.

# *FAST Push - mortice version*

*Maximum security, total safety*



## **IDENTIFYING FEATURES**

- Extremely easy and quick installation.
- Suitable for installation with all CISA panic function locks and panic function fire door locks.
- Possible combination with SikurExit/Exitlock to ensure greater security and quick, safe exit in case of danger.

## **CERTIFICATIONS AND MARKS**

The adopted technical solutions and the materials used guarantee compliance with the strictest regulation requirements. This has enabled CISA to obtain marks and certificates including:

- CE mark according to the 89/106/EEC DIRECTIVE granted by ICIM.
- Voluntary product certification granted by the independent certifying body ICIM according to the same standard UNI EN 1125.

# Prestige series



## **STREAMLINED, STURDY DESIGN**

With their modern, compact design the panic exit devices belonging to this series suggest sturdiness and solidity and blend effortlessly with any surrounding environment.

## **EASY TO INSTALL**

The manufacturing technique used makes “CISA PRESTIGE” quick and easy to install on wood, iron and aluminum doors. “CISA PRESTIGE” has been designed to replace earlier CISA No Problem and 59300 range models.

## **RELIABLE**

“CISA PRESTIGE” is a top-of-the-range product in terms of reliability, material quality and operating mechanism construction accuracy.

## **DURABLE**

“CISA PRESTIGE” is built to last and guaranteed to ensure a number of operation cycles considerably higher than the maximum standard requirement (200,000 cycles).

## **MODULAR**

“CISA PRESTIGE” models can be preset to accept top-bottom and lateral locking point extended bolts for single or double leaf, doorstop or swing doors and special external drives.

## **TYPES**

The Prestige range is available in a painted version with various finishes, and in a stainless steel version suitable for installation in etching atmosphere environments.



Prestige - rim version



Prestige - mortice version



# *Prestige - rim version*

## *Unrivalled reliability*



### **IDENTIFYING FEATURES**

- Clean, bold design.
- Fully interchangeable with the No Problem and 59300 series.
- Fully modular.

### **CERTIFICATIONS AND MARKS**

The adopted technical solutions and the materials used guarantee compliance with the strictest regulation requirements. This has enabled CISA to obtain marks and certificates including:

- CE mark according to the 89/106/EEC DIRECTIVE granted by ICIM for use on standard doors and fire doors.
- Voluntary product certification granted by the independent certifying body ICIM according to the same standard UNI EN 1125.

# *Prestige - mortice version*

*A history of security*



## **IDENTIFYING FEATURES**

- Stylish, bold design.
- Suitable for installation with CISA Mito Panic locks.

## **CERTIFICATIONS AND MARKS**

The adopted technical solutions and the materials used guarantee compliance with the strictest regulation requirements. This has enabled CISA to obtain marks and certificates including:

- CE mark according to the 89/106/EEC DIRECTIVE granted by ICIM for use on standard doors and fire doors.
- Voluntary product certification granted by the independent certifying body ICIM according to the same standard UNI EN 1125.

# Finishes

So much more than technology. The focus on design and color combination makes of CISA panic exit devices highly versatile products - ideally matching any surrounding environment.

PVD finishes in particular manage to successfully combine stylishness and strength.



## FAST Touch and FAST Push painted finishes



**RAL 3000 Red**  
Fin. 41



**RAL 1004 Yellow**  
Fin. 42



**RAL 6001 Green**  
Fin. 43



**Matt Black**  
Fin. 44



**RAL 9010 White**  
Fin. 45



**RAL 9006 Gray**  
Fin. 97

## Anodized finishes for FAST Touch bar



**Anodized  
Satin-finished Aluminum**  
Fin. 62



**Anodized  
Bronze**  
Fin. 64



**Brass-plated**  
Fin. A1

## PVD finishes for FAST Touch and FAST Push



**Satin-finished Stainless Steel**  
Fin. C2



# Outside devices



## FOCUS ON DESIGN

Sophisticated design, ergonomic outside devices suitable for installation with CISA panic exit devices.

The CISA outside devices perfectly complement all panic exit device shapes.

## VERSATILITY

The CISA outside devices meet all installation requirements associated with FAST and Prestige series panic exit devices. The low-rise handle version is designed to meet minimal projection installation requirements.

## FINISHES

The CISA outside devices are available in the same finishes supplied for panic exit devices.

## OPERATION CONTROL

The CISA outside devices can be supplied on request with a microswitch to monitor the drive operation status at any time.



# *Electric outside devices*

## **STYLING AND DESIGN**

Minimum impact, compact design.

## **EASY INSTALLATION**

The electric outside devices can be installed very quickly and easily; it is interchangeable with previous versions and can replace the mechanical handle without requiring door structure changes. The electric outside devices can be used to remote-control the opening of doors equipped with panic exit devices - including multiple lock doors.

## **POWER SUPPLY**

The handle Booster power supply enables low-voltage connection and ensures ideal operating conditions by preventing problems typically associated with inadequate voltage input.

## **VERSATILITY**

The electric outside devices can be fitted to wood, iron and aluminum doors, in combination with all CISA range panic exit devices.



## Complementary accessories



### **ELECTRIC STRIKERS**

Suitable for installation with any panic exit device from the CISA product range with side latchbolt.



### **GLASS KITS**

The CISA glass kits allow for installation of "push" panic exit devices on glass doors - combining the sophisticated styling of glass doors with the functionality of panic exit devices from the CISA product range.



### **ADJUSTABLE STRIKERS**

Adjustable strikers can be installed on any door type, including factory gates, in combination with any panic exit device from the CISA product range.



## About Allegion

Allegion (NYSE: ALLE) creates peace of mind by pioneering safety and security. As a \$2 billion provider of security solutions for homes and businesses, Allegion employs more than 7,800 people and sells products in more than 120 countries across the world. Allegion comprises 23 global brands, including strategic brands CISA®, Interflex®, LCN®, Schlage® and Von Duprin®.

For more, visit [allegion.com](http://allegion.com)

 BRICARD ■ Briton ■  CISA ■  interflex